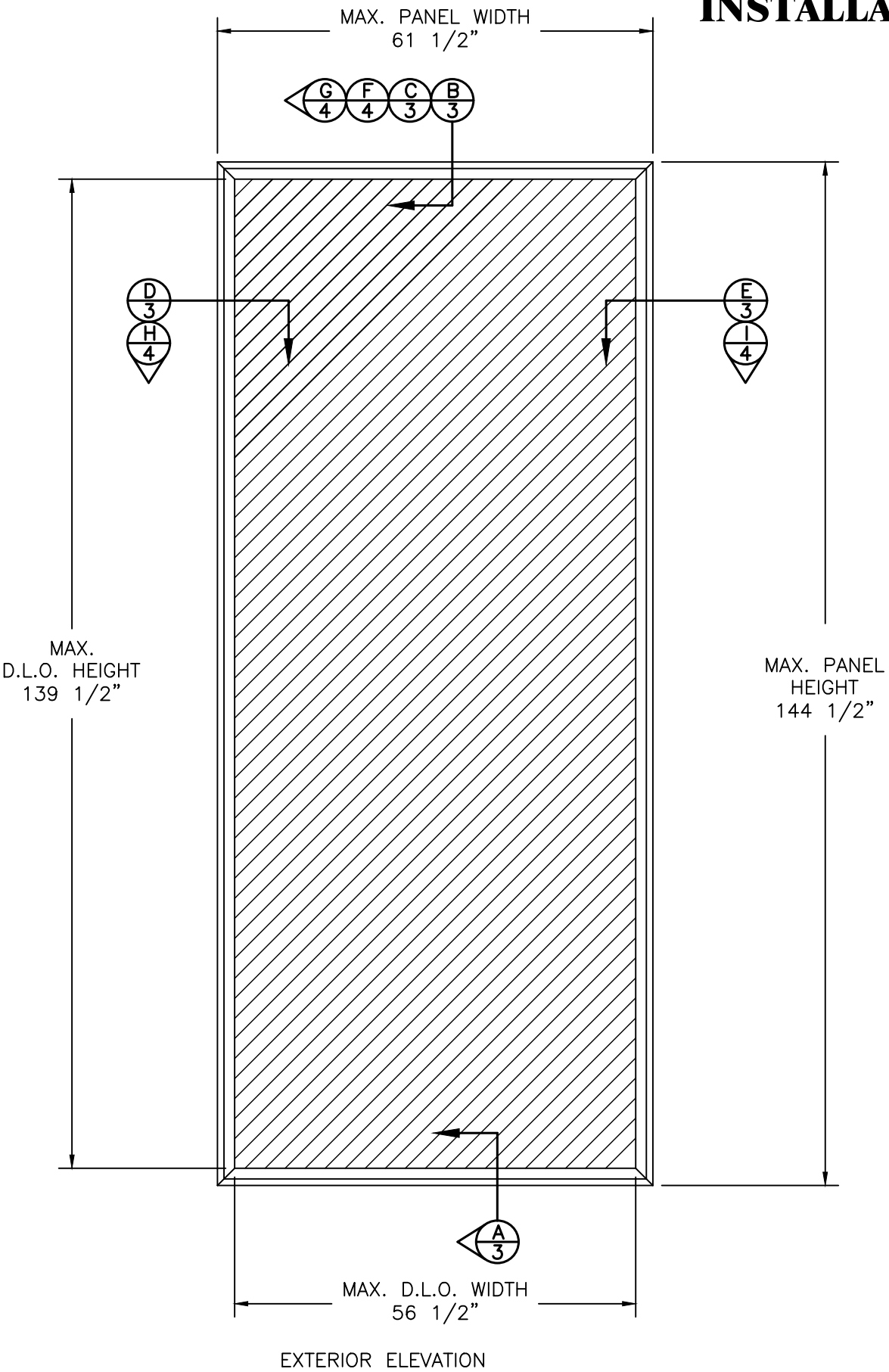


QMI

STORMSAFE SCREEN - FIXED IMPACT SCREEN - HVHZ INSTALLATION AND ANCHORAGE DETAILS



NOTES:

1. THE PRODUCT SHOWN HEREIN IS DESIGNED AND MANUFACTURED TO COMPLY WITH THE CURRENT EDITION OF THE FLORIDA BUILDING CODE INCLUDING THE HIGH VELOCITY HURRICANE ZONE (HVHZ).
2. CONCRETE, MASONRY & WOOD FRAMING TO BE DESIGNED AND ANCHORED TO PROPERLY TRANSFER ALL LOADS TO STRUCTURE. FRAMING IS THE RESPONSIBILITY OF THE ARCHITECT OR ENGINEER OF RECORD.
3. IMPACT SCREEN MATERIAL: 304 STAINLESS STEEL.
PANEL FRAME MATERIAL: ALUMINUM ALLOY 6005-T5.
4. A MINIMUM GLASS SEPARATION DISTANCE OF 4" SHALL BE PROVIDED FOR ALL INSTALLATIONS.
5. TESTING TO TAS 201, TAS 202 (STATIC LOADING) AND TAS 203 DOCUMENTED IN TEST REPORT NO. CTLA-1366W-1 BY CERTIFIED TESTING LABORATORIES.

TABLE OF CONTENTS	
SHEETS	SHEET DESCRIPTION
1	ELEVATION & NOTES
2	ANCHORING & NOTES
3	INSTALLATION DETAILS IN CONCRETE & WOOD FRAME
4	INSTALLATION DETAILS IN CONCRETE & WOOD FRAME
5	COMPONENTS & B.O.M.

MAXIMUM ALLOWABLE DESIGN PRESSURES	IMPACT RATING
W/2 1/2" MIN. EDGE DISTANCE	LARGE MISSILE IMPACT
+80.0 PSF -80.0 PSF	

PROJECT #414-1205

1661 GLENLAKE AVE.
ITASCA, IL 60143



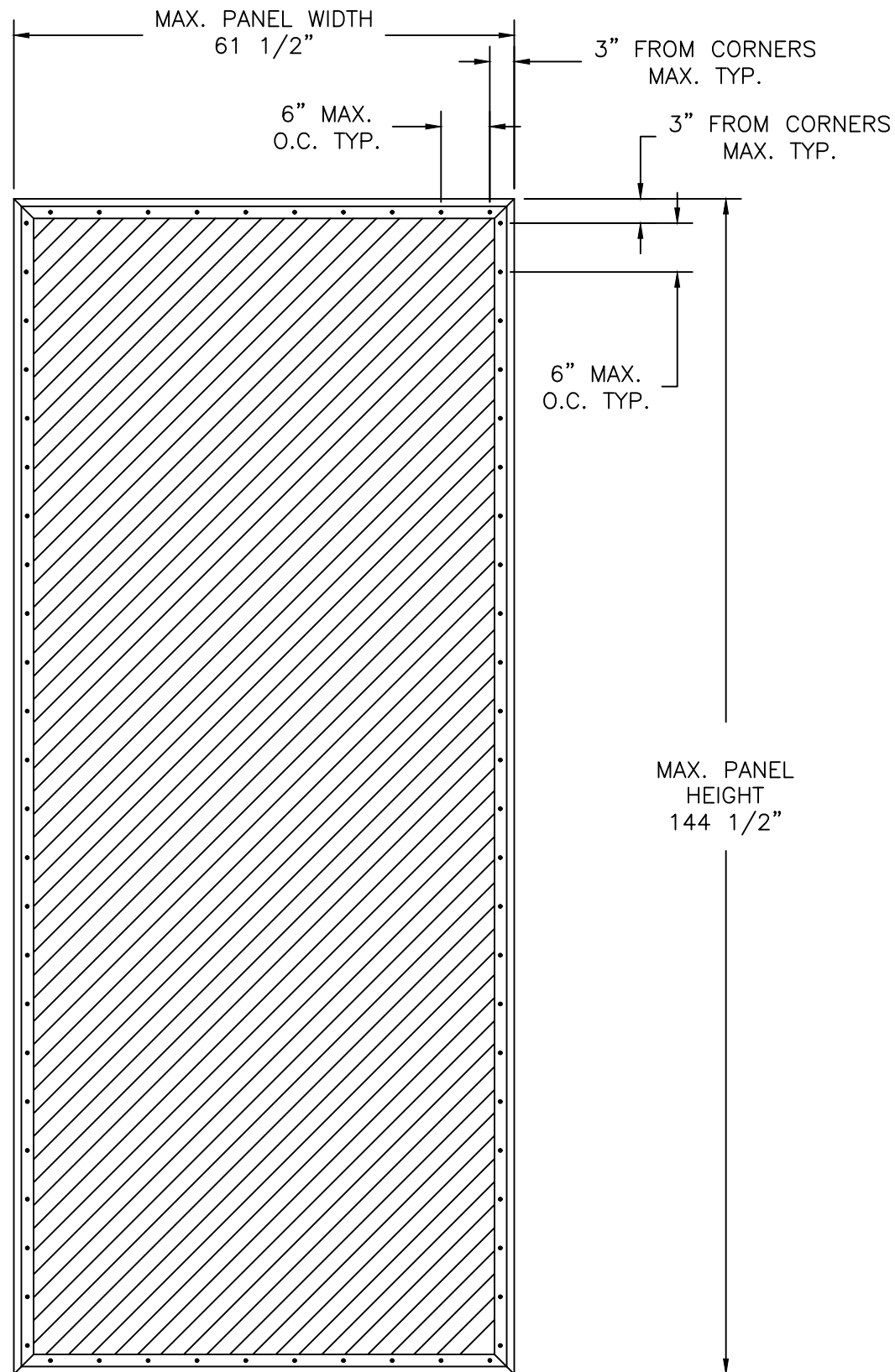
TITLE: STORMSAFE SCREEN - FIXED IMPACT SCREEN - HVHZ
GENERAL AND INSTALLATION NOTES

DATE:	12/09/12
DRAWING NO.:	QMI0003
DRAWN BY:	RJA
SCALE:	N.T.S.
REV:	A
SHEET:	1 OF 5

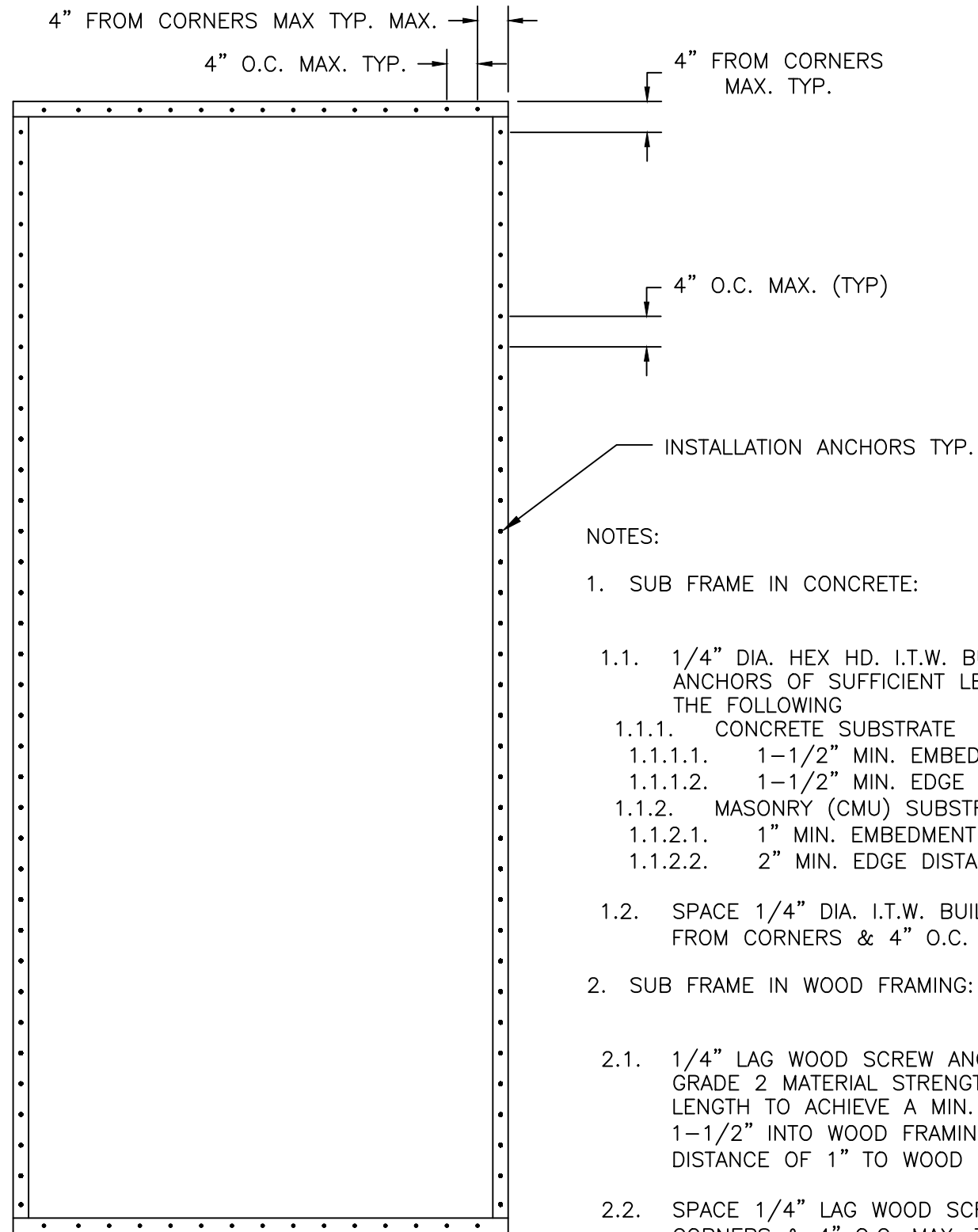
REV	DESCRIPTION	DATE	BY
A	UPDATE TO 5TH ED. (2014) FLORIDA BUILDING CODE	5/6/15	RJA

Robert J. Amoruso, P.E.
Florida P.E. No. 49752

PTC PRODUCT DESIGN GROUP, LLC
PO BOX 53079
LONG BEACH, CA 90805
Phone: 321.690.1788
Fax: 321.690.1789
Email: info@ptc-corp.com
FBPE C.A. NO. 55935



SCREEN FRAME TO ALUMINUM TUBE ANCHORING EXTERIOR ELEVATION



ALUMINUM TUBE TO SUBSTRATE/WALL ANCHORING EXTERIOR ELEVATION

NOTES:

1. SUB FRAME IN CONCRETE:
 - 1.1. 1/4" DIA. HEX HD. I.T.W. BUILDEX TAPCON ANCHORS OF SUFFICIENT LENGTH TO ACHIEVE THE FOLLOWING
 - 1.1.1. CONCRETE SUBSTRATE
 - 1.1.1.1. 1-1/2" MIN. EMBEDMENT
 - 1.1.1.2. 1-1/2" MIN. EDGE DISTANCE
 - 1.1.2. MASONRY (CMU) SUBSTRATE
 - 1.1.2.1. 1" MIN. EMBEDMENT
 - 1.1.2.2. 2" MIN. EDGE DISTANCE
 - 1.2. SPACE 1/4" DIA. I.T.W. BUILDEX TAPCONS 4" FROM CORNERS & 4" O.C. MAX. THEREAFTER.
2. SUB FRAME IN WOOD FRAMING:
 - 2.1. 1/4" LAG WOOD SCREW ANCHORS WITH MIN. GRADE 2 MATERIAL STRENGTH OF SUFFICIENT LENGTH TO ACHIEVE A MIN. EMBEDMENT OF 1-1/2" INTO WOOD FRAMING AND MIN. EDGE DISTANCE OF 1" TO WOOD FRAMING EDGE.
 - 2.2. SPACE 1/4" LAG WOOD SCREWS 4" FROM CORNERS & 4" O.C. MAX. THEREAFTER.
3. SCREEN FRAME:
 - 3.1. #12 X 3/4" HEX HD. SMS SPACE 3" FROM CORNERS AND 6" O.C. MAX. THEREAFTER.

PROJECT #414-1205

REV	DESCRIPTION	DATE	BY
A	UPDATE TO 5TH ED. (2014) FLORIDA BUILDING CODE	5/6/15	RJA

1661 GLENLAKE AVE.
ITASCA, IL 60143

QMI

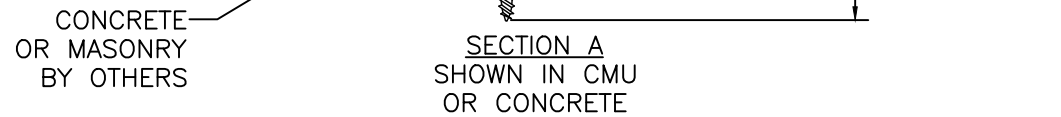
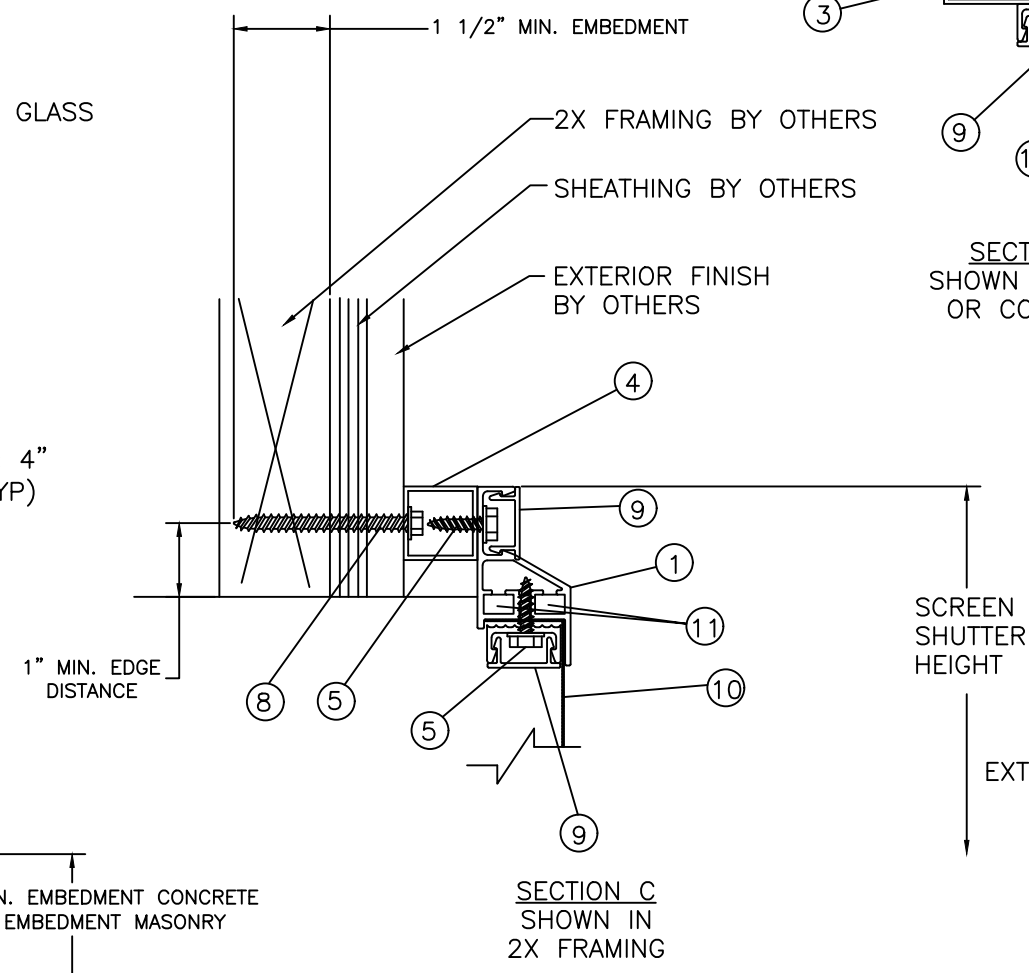
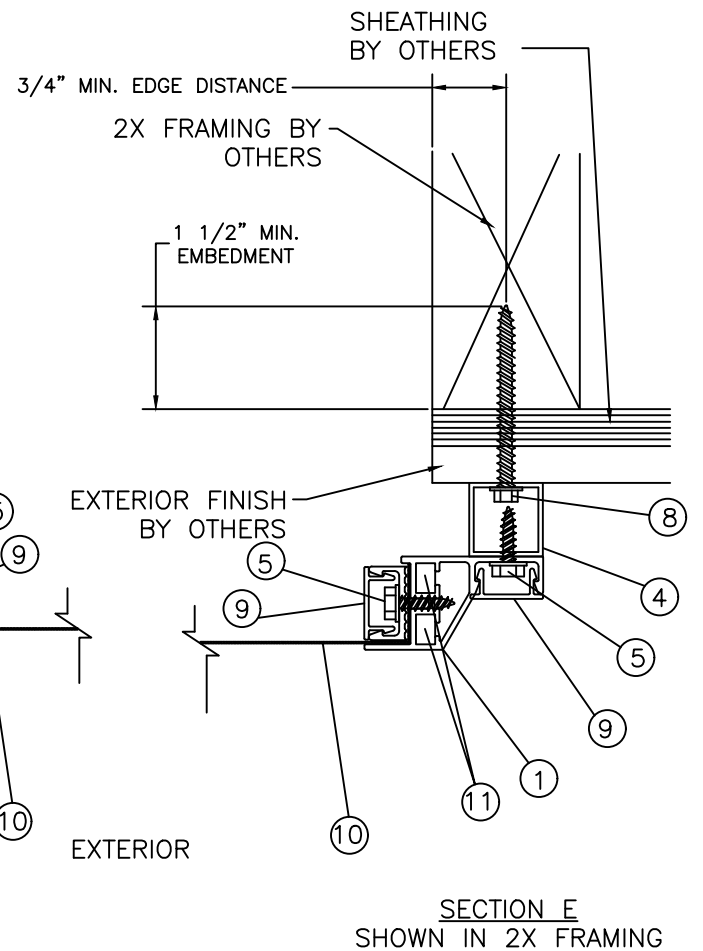
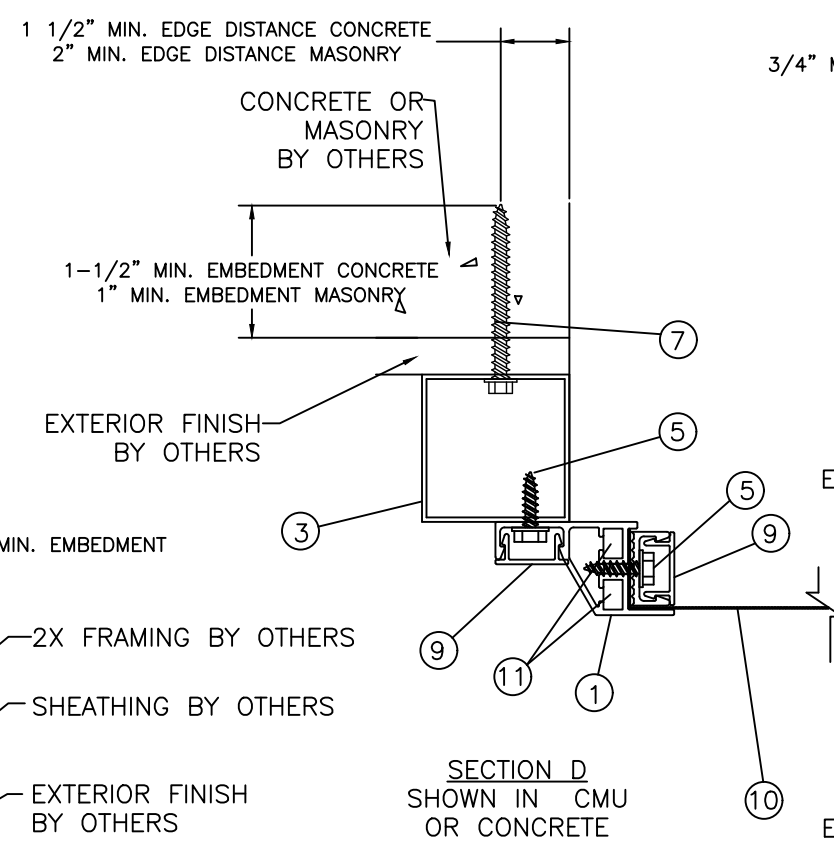
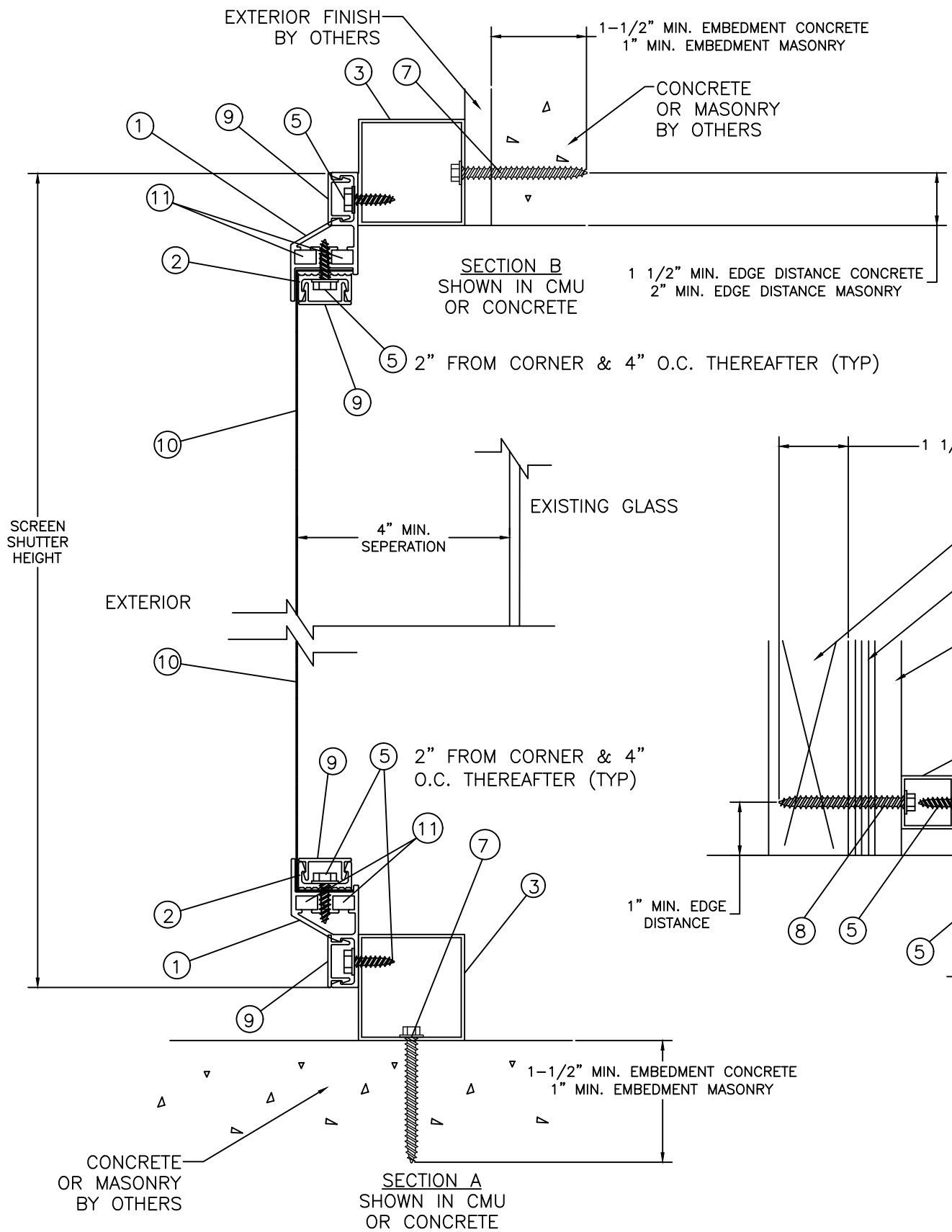
TITLE: STORMSAFE SCREEN - FIXED IMPACT SCREEN - HVHZ ELEVATION & ANCHOR LAYOUTS

PREPARED BY: RJA
SCALE: N.T.S.
REV: A

DATE: 12/09/12
DRAWING NO: QM10003
SHEET: 2 OF 5

PTC PRODUCT DESIGN GROUP, LLC
PO BOX 520775
LONGWOOD, FLORIDA 32752
Phone: 321.680.1788
Fax: 321.680.1785
Email: info@ptc-cdp.com
FBPE C.A. NO. 25585

Robert J. Amoruso, P.E.
Florida P.E. No. 49752



NOTES:

1. 2" ALUMINUM TUBE HAS A 1" MIN. EDGE DISTANCE WITH NO SETBACK FROM EDGE OF CONCRETE/MASONRY AT INSTALLATION.
2. 1" ALUMINUM TUBE HAS A 1" MIN. EDGE DISTANCE WITH 1/2" SETBACK FROM EDGE OF CONCRETE/MASONRY AT INSTALLATION.

PROJECT #414-1205		DATE	5/6/15	BY	RJA
1661 GLENLAKE AVE. ITASCA, IL 60143		DATE	12/09/12	REV	A
TITLE: STORMSAFE SCREEN - FIXED IMPACT SCREEN - HVHZ VERTICAL & HORIZONTAL SECTIONS		DRAWING NO.	QMI0003	DESCRIPTION	UPDATE TO 5TH ED. (2014) FLORIDA BUILDING CODE
PREPARED BY:	RJA	SCALE:	N.T.S.	REV	3 OF 5
DATE:	12/09/12	DRAWING NO.:	QMI0003	REV	A
SCALE:	N.T.S.	REV:	A	SHEET:	3 OF 5
REV:	A	REV:	A	SHEET:	3 OF 5

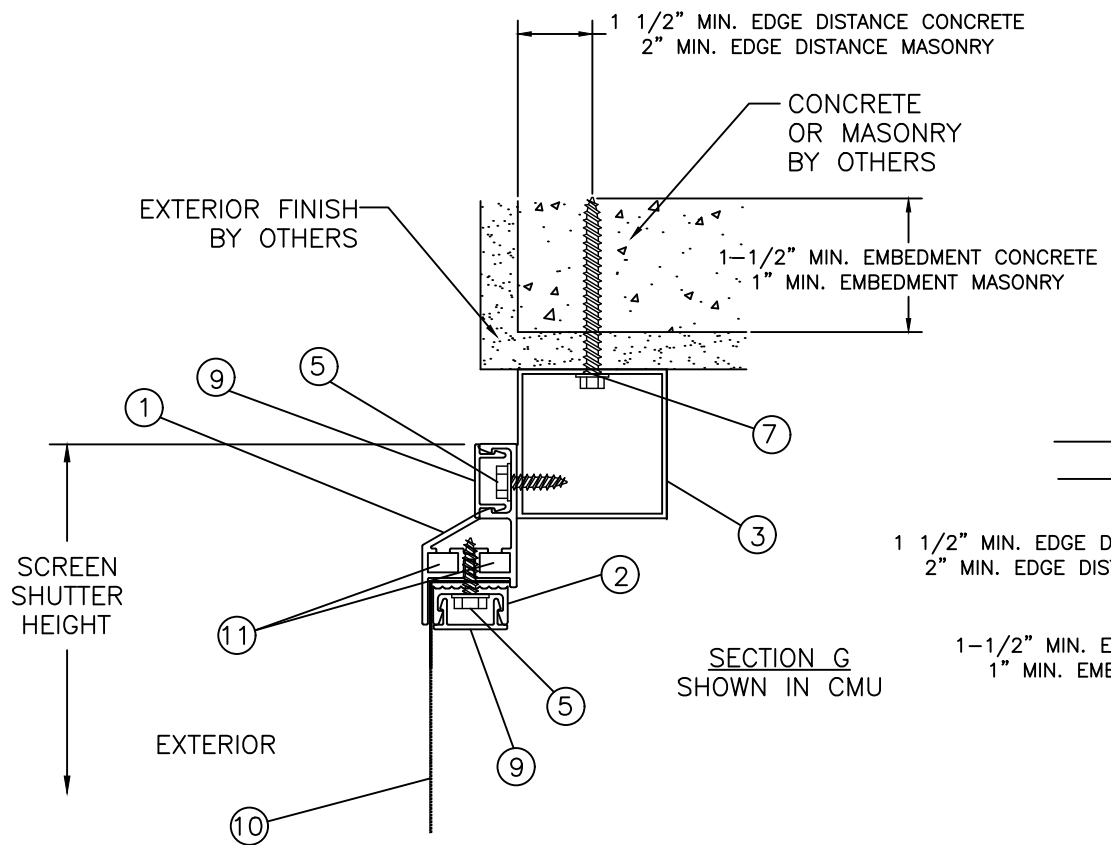
Robert J. Amoruso, P.E.
Florida P.E. No. 49752



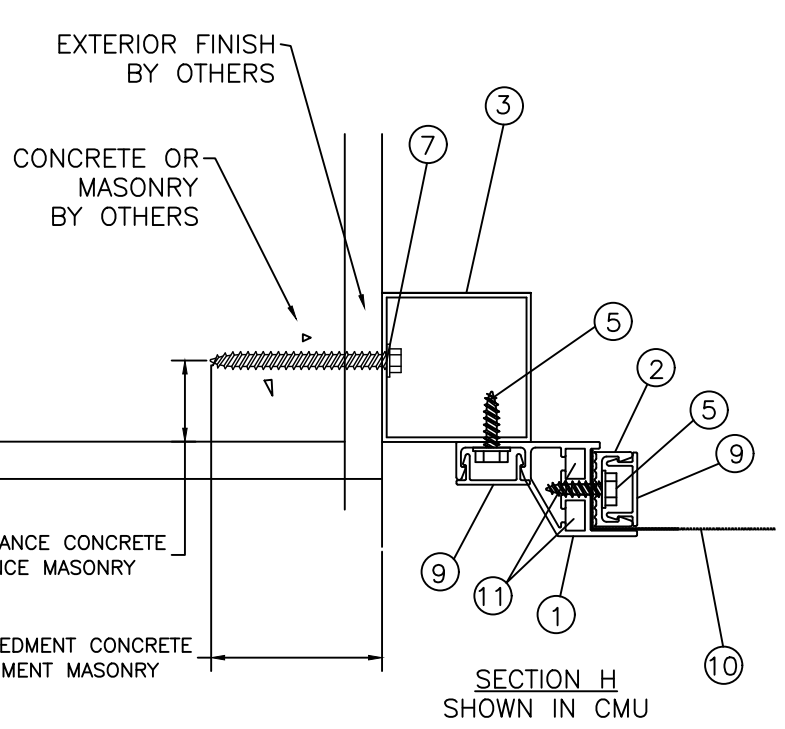
STORMSAFE SCREEN - FIXED IMPACT SCREEN - HVHZ
VERTICAL & HORIZONTAL SECTIONS



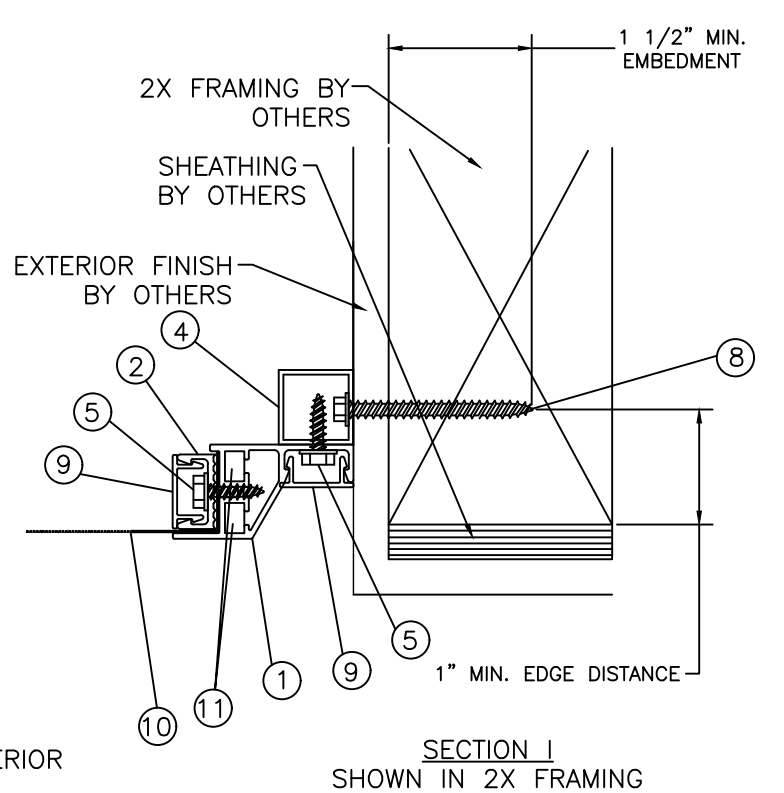
PTC PRODUCT DESIGN GROUP, LLC
PO BOX 520775
LONGWOOD, FLORIDA 32752
Phone: 321.690.1788
Fax: 321.690.1789
Email: info@ptc-corp.com



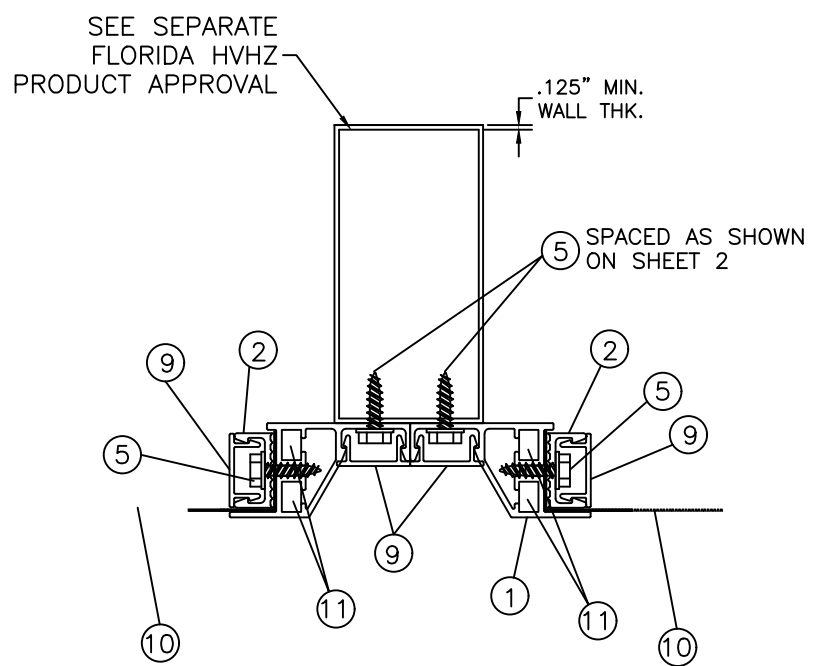
SECTION G
SHOWN IN CMU



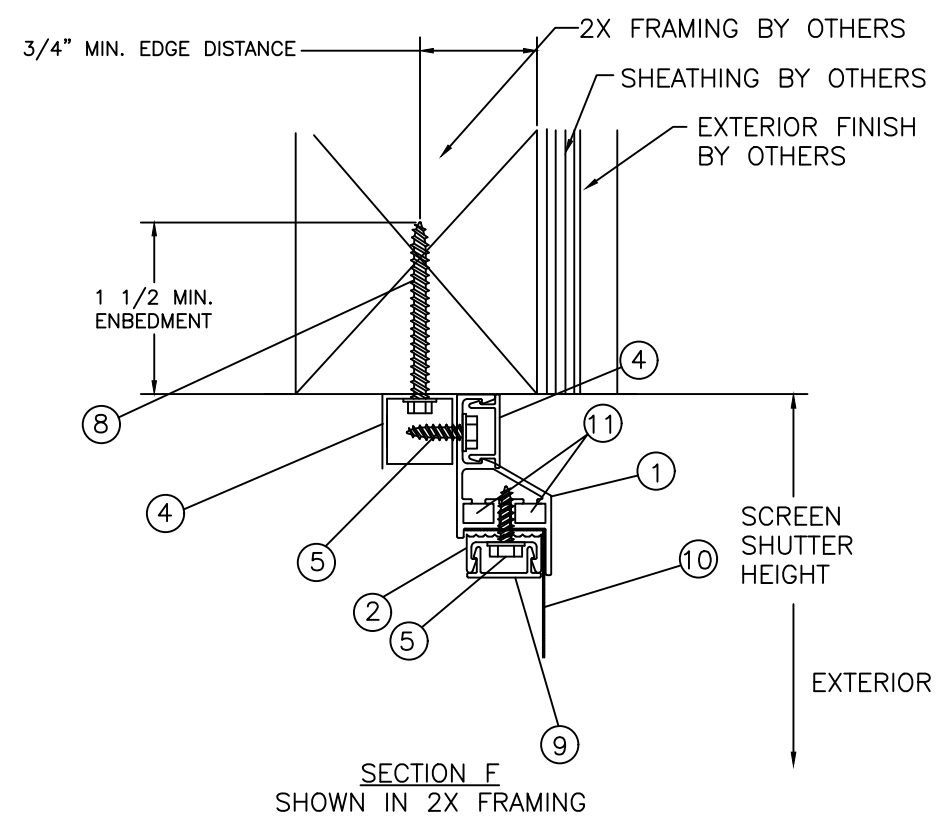
SECTION H
SHOWN IN CMU



SECTION I
SHOWN IN 2X FRAMING



OPTIONAL ALUMINUM MULLION
INSTALLATION, SEE SEPARATE
FLORIDA HVHZ PRODUCT APPROVAL



SECTION F
SHOWN IN 2X FRAMING

- NOTES:
- 2" ALUMINUM TUBE HAS A 1" MINIMUM SETBACK FROM EDGE OF CONCRETE/MASONRY AT INSTALLATION.
 - 1" ALUMINUM TUBE HAS A 1 1/2" MINIMUM SETBACK FROM EDGE OF CONCRETE/MASONRY AT INSTALLATION.

PROJECT #414-1205

1661 GLENLAKE AVE.
ITASCA, IL 60143

STORMSAFE SCREEN - FIXED IMPACT SCREEN - HVHZ
VERTICAL & HORIZONTAL SECTIONS

DATE: 12/09/12
DRAWING NO: QM10003
SHEET: 4 OF 5

PREPARED BY: RJA
SCALE: N.T.S.
REV: A

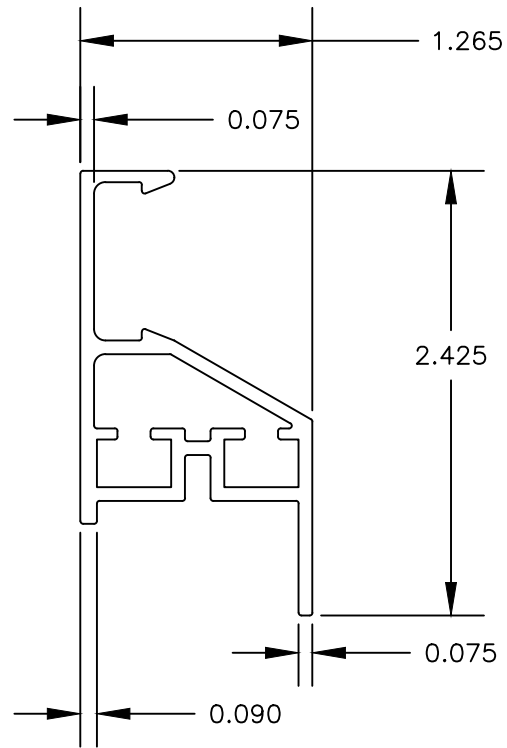
DESCRIPTION: UPDATE TO 5TH ED. (2014)
FLORIDA BUILDING CODE

DATE: 5/6/15
BY: RJA

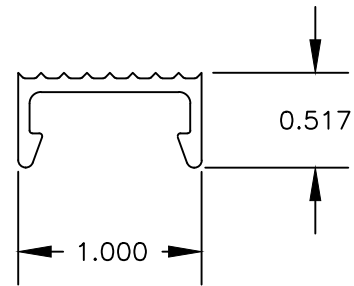
QMI
PTC PRODUCT DESIGN GROUP, LLC
PO BOX 520775
LONGWOOD, FLORIDA 32752
PHONE: 321.690.1786
FAX: 321.690.1785
EMAIL: info@psc-corp.com

Robert J. Amoruso, P.E.
Florida P.E. No. 49752

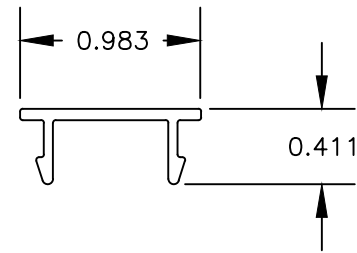
① FRAME HEAD, SILL & JAMB
TYP. WALL THICKNESS 0.075



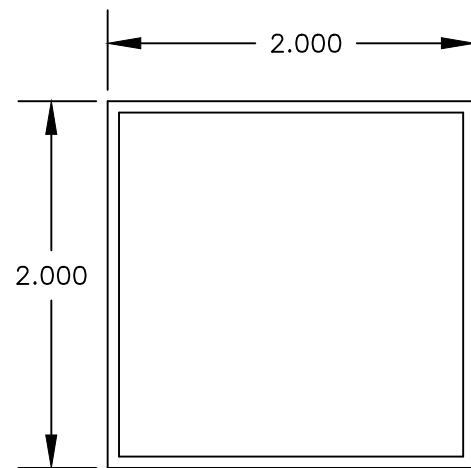
② WIRE RETAINER
TYP. WALL THICKNESS 0.075



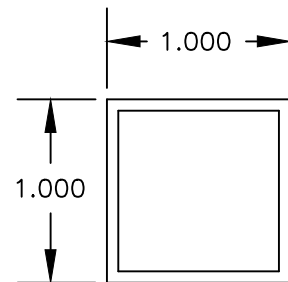
⑨ SCREW COVER
TYP. WALL THICKNESS 0.050



③ 2" X 2" ALUMINUM TUBE
TYP. WALL THICKNESS 0.062



④ 1" X 1" ALUMINUM TUBE
TYP. WALL THICKNESS 0.062



BILL OF MATERIALS		
ITEM #	PART #	DESCRIPTION
1	2713	FRAME HEAD, SILL & JAMB 6005-T5 ALUMINUM
2	2721	WIRE RETAINER 6005-T5 ALUMINUM
3		2" X 2" X 1/16" ALUMINUM TUBE 6063-T5
4		1" X 1" 1/16" ALUMINUM TUBE 6063-T5
5		#12-14 X 3/4" HEX HEAD SMS SCREW
6		NOT USED
7		1/4" HEX HEAD ITW TAPCON
8		1/4" LAG SCREW
9	2730	SCREW COVER
10		MESH 12X12 SCREEN SS 304 THREAD 0.028" OR 0.032" THICK
11		CORNER KEY 2" X 2" X 0.40" X 1/4"

1661 GLENLAKE AVE.
ITASCA, IL 60143

QMI

TITLE: STORMSAFE SCREEN - FIXED IMPACT SCREEN - HVHZ
COMPONENTS & BILL OF MATERIALS

PREPARED BY: N.T.S. DATE: 12/09/12

DRAWN BY: RJA DRAWING NO: QMI0003

SCALE: N.T.S. SHEET: 5 OF 5

REV: A

PTC PRODUCT DESIGN GROUP, LLC
PO BOX 520775
LONGWOOD, FLORIDA 32752
FBPE.CA. NO. 25935
Phone: 321.680.1788
Fax: 321.680.1769
Email: info@pdc-pdp.com

Robert J. Amoruso, P.E.
Florida P.E. No. 49752

PROJECT #414-1205

REV	DESCRIPTION	DATE	BY
A	UPDATE TO 5TH ED. (2014) FLORIDA BUILDING CODE	5/6/15	RJA