

1 Adding the transmitter to an existing installation

1.1. Open the memory of the motor using its individual control transmitter:

- Press the Prog. Button for about 3 sec. on the motor's individual control transmitter, the motor will jog.

1.2. Then validate the operation from the new transmitter to be programmed:

- Press the Prog. Button for about 1 sec. on the new transmitter, the motor will jog.

- For group controls from the new transmitter, repeat operations 1.1 and 1.2 for each motor of the group.

- For main controls from the new transmitter, repeat operations 1.1 and 1.2 for each motor of the installation.

- To delete a transmitter from the memory of a motor, perform operation 1.1 with a programmed transmitter, then perform operation 1.2 with the transmitter to be deleted.

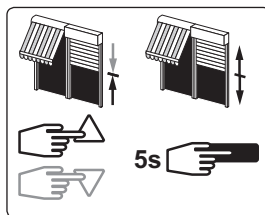
For more complete information about programming, please refer to the instructions of the motor used.

2 Programming and use Intermediate Position (I.P):

Refer to Hz motor instructions to make sure it has this feature.

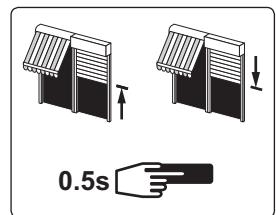
Programming:

- Move the motor to the desired position.
 - Press 5 seconds on the **STOP** button.
- The motor will jog.



Use:

- Press the **STOP** button for 0.5 second. The motor runs to the intermediate position.



3 Technical data

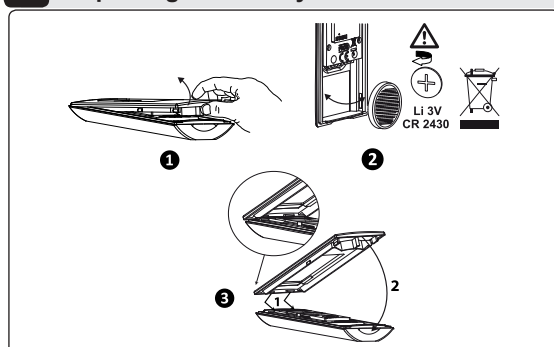
- Compatible with motors & receivers



- Wireless switch/class III – Protection Index: IP30
- Maximum transmission time: 10 seconds
- Operating temperature: 14°F (-10°C) to 140°F (60°C)
- Storage temperature: -22°F (-30°C) to 158°F (70°C)
- Transmitter range: 20ft max. (6m max) through 2 concrete walls in normal
- Power: 3V lithium battery type CR 2430. Lifetime ± 3 years when 4 pressures of 1s./day.
- Keep away from children

- Do not position the transmitter near metal in order to ensure its proper operation and prevent reduced range
- A radio appliance using the same frequency (for example : hi-fi radio headphones) may deteriorate our product's performance.
- Do not immerse the product, avoid splashing of liquids.
- Do not use abrasive products or solvents to clean the product.
- Frequency: 433.420 MHz

4 Replacing the battery



- Power supply is not required for saving data.
- Data need not be programmed once again when the cell is changed.
- Do not recharge the battery.
- Please separate and dispose of the appliance, batteries and used batteries at a recycling location.

FCC

This device complies with part 15 of the FCC Rules. Operating is subject to the following two conditions:

(1) this device may not cause harmful interference, and (2) this device must accept any interference received, including interference that may cause undesired operation.