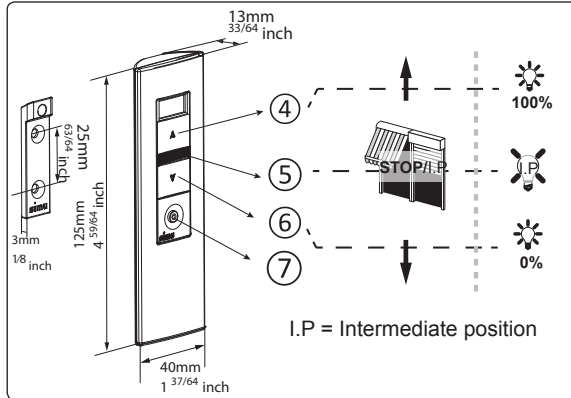
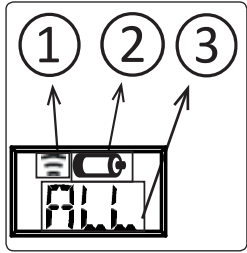


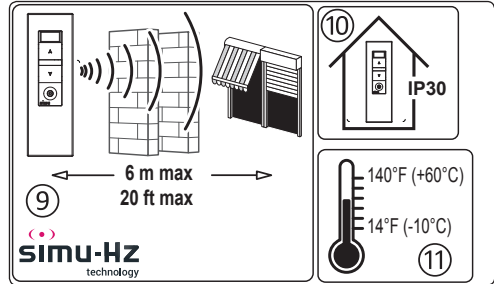


### 1 Presentation

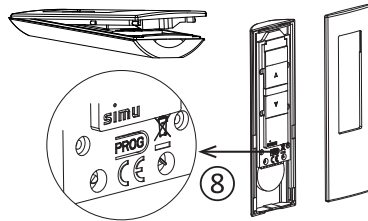
The five-channel mobile Hz transmitter can control up to five motors or groups of motors/receivers of the Simu Hz range. Selecting 'ALL' channels makes it possible to simultaneously control all the channels (1->5). The display screen allows the user to name the different channels with two alphabetic characters in addition to the selected channel number. (e.g. RM1 for Room for channel 1, etc.).



#### Technical data (Wireless switch/class III):

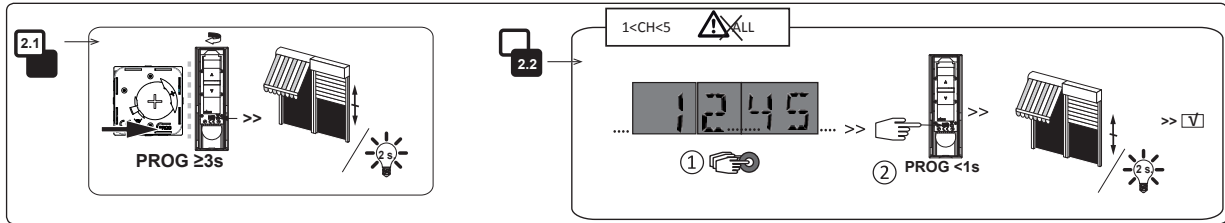


- ① Transmission indicator
- ② Low battery indicator
- ③ Selected Channel: 1,2,3,4,5, or All (All= Channels simultaneously)
- ④ UP control button ▲
- ⑤ STOP control button ■
- ⑥ DOWN control button ▼
- ⑦ Select button ●
- ⑧ Programming button « PROG »



- ⑨ Transmitter range. (Maximum transmission time: 10 seconds).
- ⑩ Protection Index. For indoor use.
- ⑪ Operating temperature: 14°F (-10°C) to 140°F (60°C)  
Storage temperature: -22°F (-30°C) to 158°F (70°C)  
- Frequency: 433.420 MHz

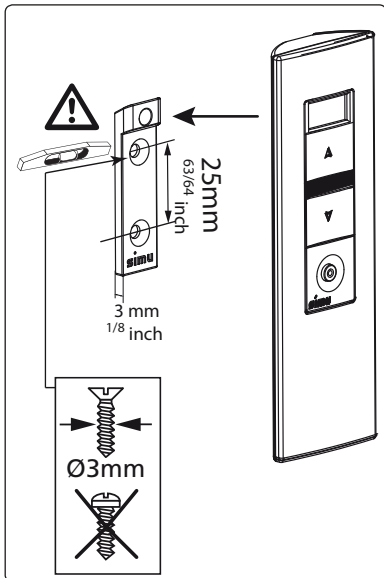
### 2 Adding the transmitter to an existing installation



- 2.1- Press the PROG key (>3 s) on the motor's/receiver's individual control transmitter for about 3 seconds. The motor will jog.
- 2.2- 1. Select the channel (●) of the transmitter you wish to add.
- 2. Then, press the PROG button less than 1 second. The motor will jog. The operation is completed.

- For a group control, with mobile Hz transmitter: repeat operations 2.1 and 2.2 for each motor in the group.  
- The selection 'ALL' automatically controls all 5 channels and, should not be programmed directly to motors or receivers. (For more complete information about programming, please refer to the instructions of the motors or receivers used).

### 3 Installation



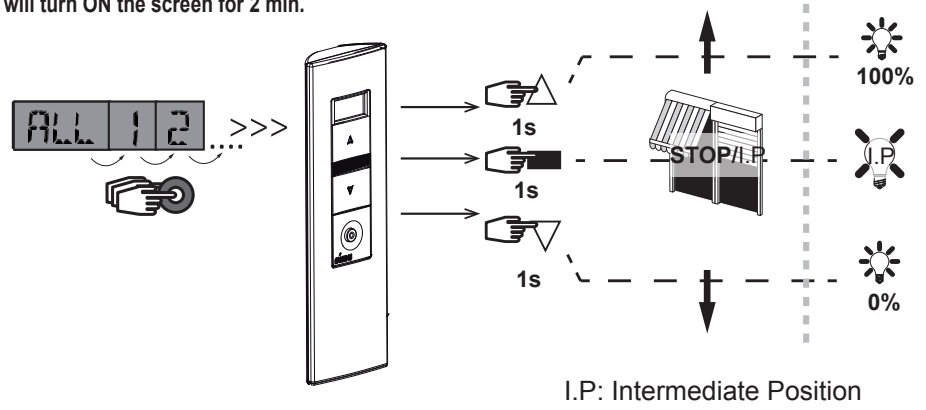
- ⚠ -Keep out of children's reach. Do not position the transmitter near metal in order to ensure its proper operation and prevent reduced range.
- ⚠ -A radio appliance using the same frequency (for example: hi-fi radio headphones) may deteriorate our product's performance.

## 4 Using the transmitter

When the screen is OFF, pressing on the channel select button ● will turn ON the screen for 2 min.

### 4.1. Manual control:

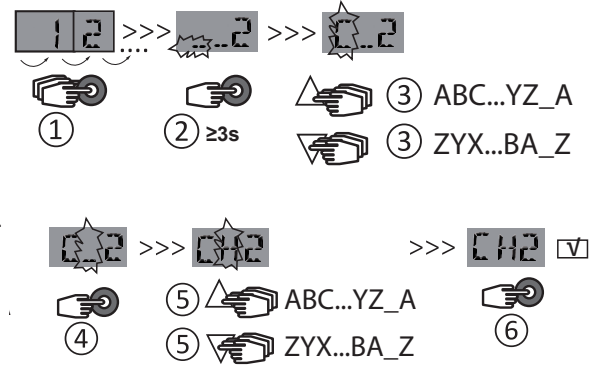
- 1 - Select a channel with the Select key (●),
- 2 - Then press a control key (▲/▼/or ■).



### 4.2. Naming a channel:

⚠ 1<CH<5

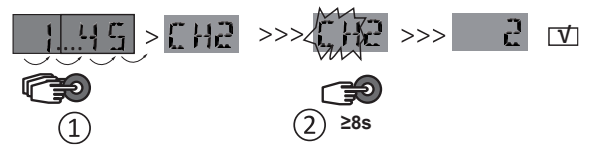
- 1 - Select the channel to name with the channel select button (●). (1, 2, 3, 4 or 5).
- 2 - Press the select key (●) for more than 3 seconds; the first character to edit will flash for 15 seconds.
- 3 - Using the control keys (▲/▼), select the desired character.
- 4 - Press the selection key (●) briefly to save the displayed character; the second character will start to flash.
- 5 - Using the control keys (▲/▼), select the desired character.
- 6 - To save and exit naming, press the select button (●) briefly.



### 4.3. Deleting a saved channel name:

⚠ 1<CH<5

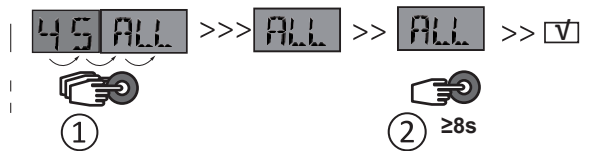
- 1 - Using the Ch select button (●), select the channel (1, 2, 3, 4, or 5), for which you want to delete the name.
- 2 - Press the Ch select button (●) for more than 8 seconds; both characters will flash and then be erased.



### 4.4. Deleting the saved names of the 5 channels:

⚠ ALL

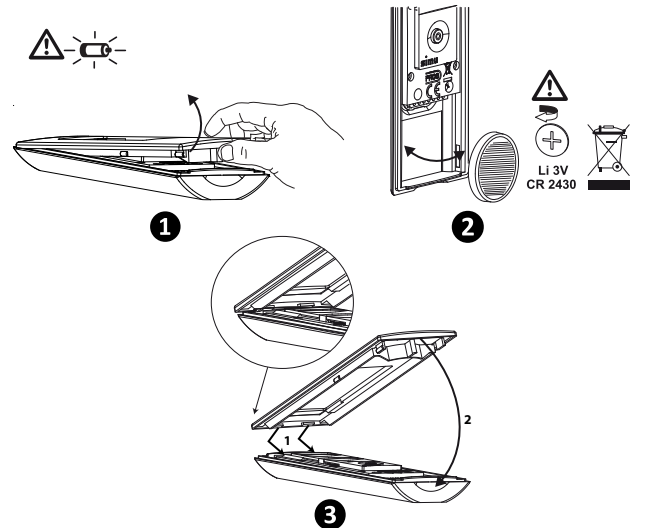
- 1 - Using the Ch select button (●), select the channel 'ALL'.
  - 2 - Press the Ch select button (●) for more than 8 seconds.
- All 5 channel names are deleted.



## 5 Replacing the battery

Replace the batteries when the low battery indicator ② goes on.

Power: 3V lithium battery type CR 2430- battery life: 3 years at 4 presses/day. Do not recharge the battery. Please separate and dispose of the appliance, batteries and used batteries at a recycling location.



## FCC

This device complies with part 15 of the FCC Rules. Operating is subject to the following two conditions:

- (1) this device may not cause harmful interference, and
- (2) this device must accept any interference received, including interference that may cause undesired operation