

FLEXIBLE **secure** DESIGN

StoreSafe®

Side-Folding Grilles

Great for wide widths or curved applications

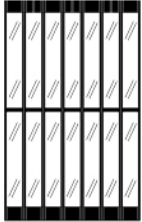
Only a top track is required for side-folding grilles - leaving retail spaces wide open during store hours, yet easily closed and locked at night. SFG's can stack inside a pocket or along a wall.

Top tracks can have a continuous radius or use 45 or 90 degree track sections to surround your protected spaces and merchandise.

- Select from four blade styles
- Unlimited widths
- Up to 14' tall
- Counter applications
- Curvilinear layouts
- Requires top mounting header



Q-Clear



The clean, attractive lines of the Q-Clear sliding grille make it the most popular style of storefront closure in malls. Clear, wide inserts give an unobstructed view of displayed merchandise and store interior design, while providing a protective barrier against theft and intrusion.

QMI's smooth-rolling grilles run on 1-1/8" (28.6 mm) diameter twin rollers in a tough overhead track that

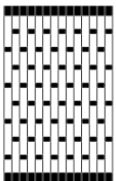
is our exclusive design. Q-Clear grille curtains and lock posts are suspended with 5/16" (7.9 mm) diameter cold rolled steel hanger rods that reduce deformation over the lifetime of the grille.

Polycarbonate 1/8" (3.2 mm) inserts provide shatterproof, clear glazed, secure grilles that virtually eliminate smash and grab theft.



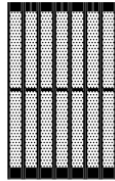


Additional Styles



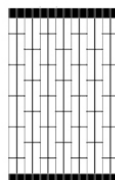
Q-Guard

This tough open style grille provides a high level of security while keeping the sense of open space. Its robust construction is based on the system of individual panels interlocked by full height hinge members. Hinge rods are completely concealed to protect them from vandalism and damage. The panels fold cleanly and positively, resulting in a smooth and easy to operate grille.



Q-Air

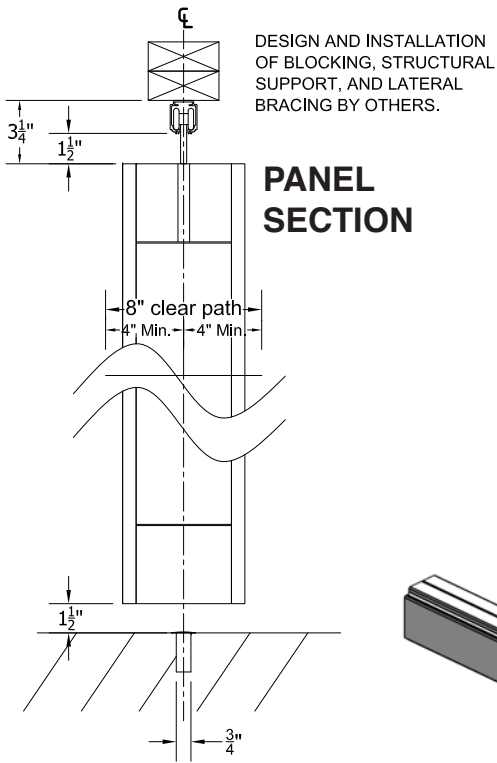
Q-Air is a popular sliding grille: tough enough to be an effective security barrier while providing a clear view of architecture and merchandise. Q-Air is perforated with a custom pattern of slots that are narrow to prevent penetration and long to provide excellent vision and air flow.



Q-Classic

The most economical and light weight open style sliding grille, it easily blends with any décor, providing unobtrusive protection. Its fine, graceful lines and high visibility make the Q-Classic an effective barrier, while maintaining a sense of open space.

SEE *the* DIFFERENCE

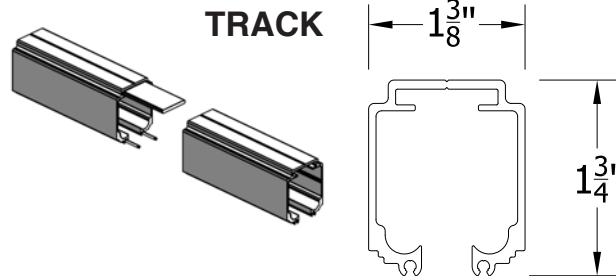
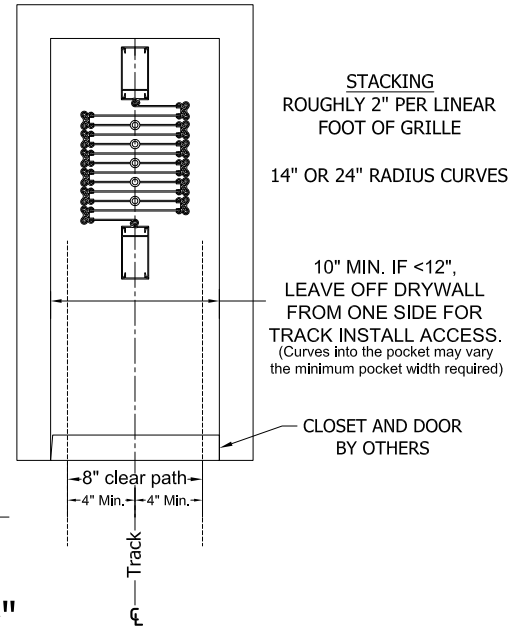


WEIGHT

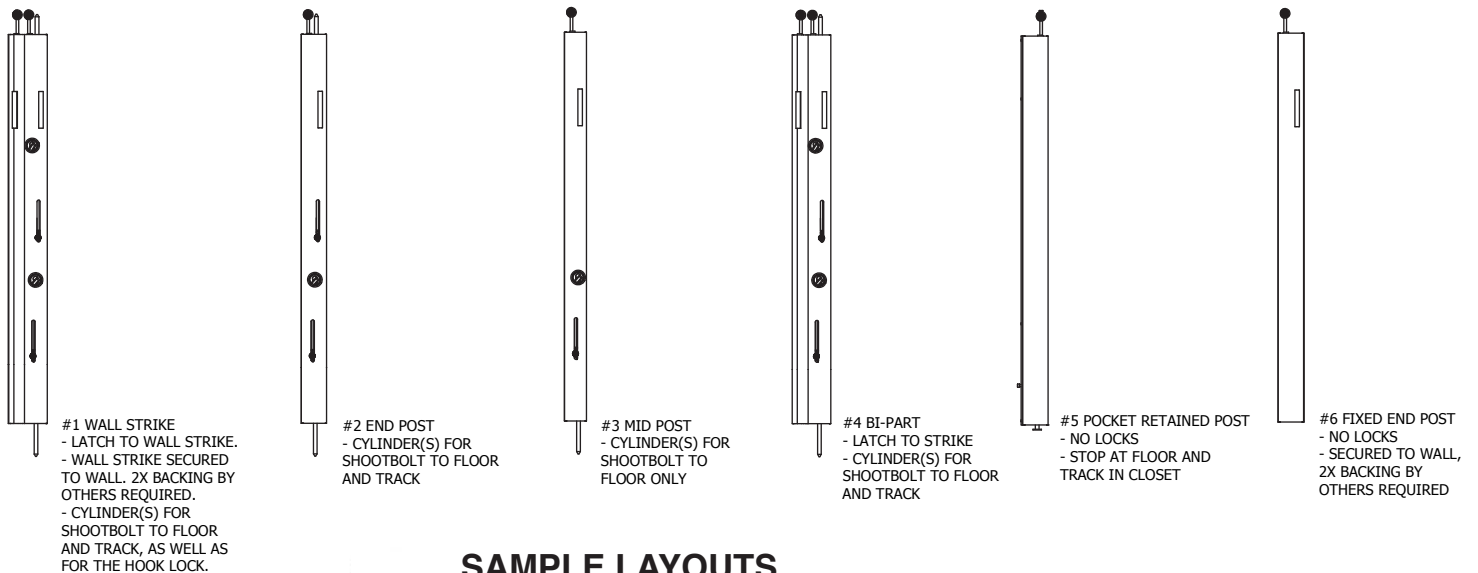
| | LBS./SQ.FT. |
|------------------------|-------------|
| Q-CLASSIC | 1.2 |
| Q-GUARD | 1.5 |
| Q-CLEAR-TEMPERED GLASS | 2.5 |
| Q-CLEAR-LEXAN | 2.2 |
| Q-AIR | 2.0 |

APPROXIMATE WEIGHT PER SQ. FT.

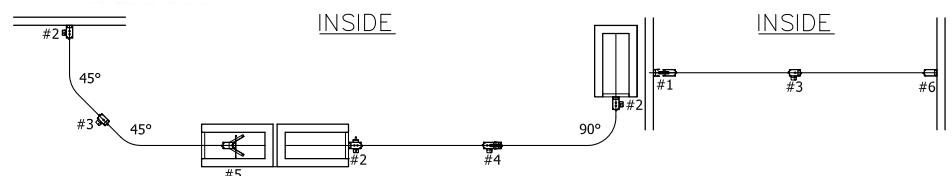
POCKET



LOCKING



SAMPLE LAYOUTS



QMI Security Solutions

1661 GLENLAKE AVE • ITASCA, IL. 60143

(800) 446-2500

International: 00 1 630 529 7111

www.qmiusa.com

Copyright© 2016 QMI Security Solutions, Inc. StoreSafe® is a registered brand of QMI. Not to be duplicated, altered or reproduced. To meet building codes listed, specific mounting provisions may be required.

SFG-V8-250