

Customer Name: _____ **Job Name:** _____ **Job No.:** _____

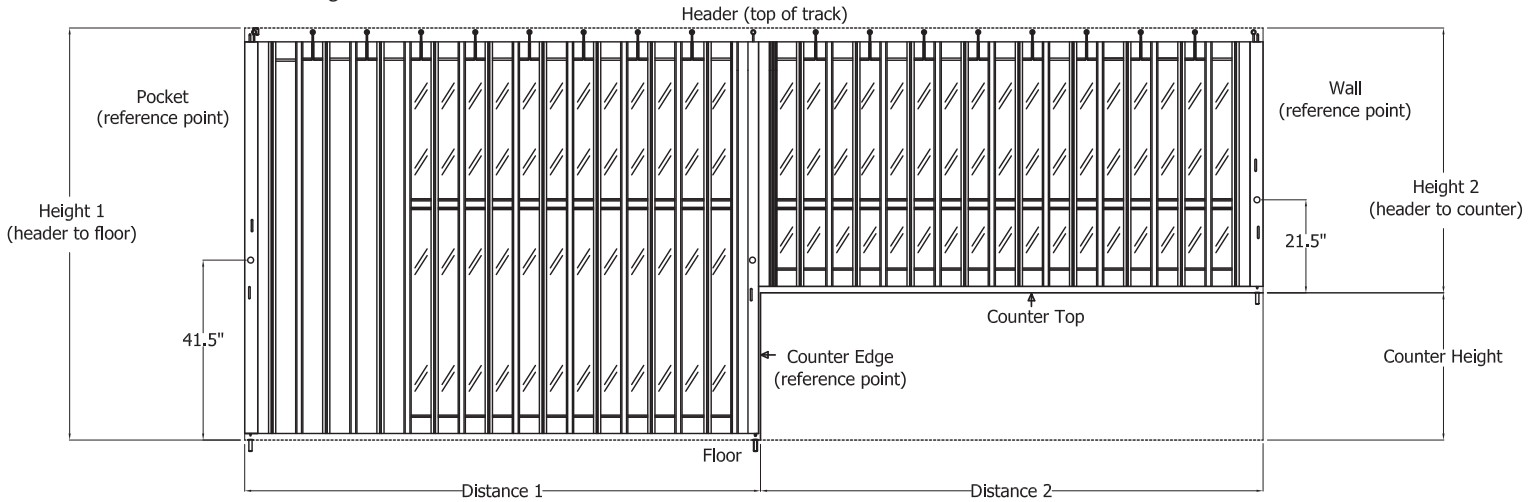
Contact Name: _____ **Phone:** _____ **Email:** _____

Color (check one): WHITE / ANODIZED

Style (check one): Q-CLEAR / Q-SOLID / Q-AIR / Q-GUARD / Q-CLASSIC

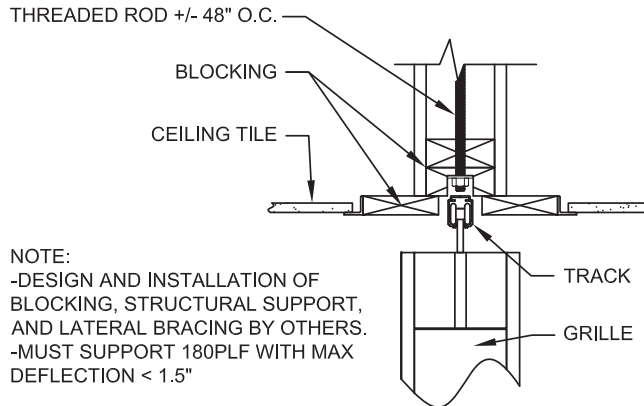
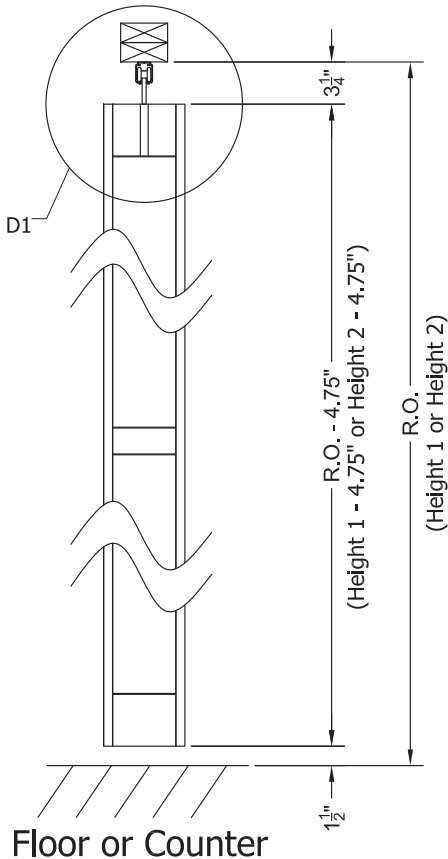
Height: SINGLE _____ / MULTIPLE (see below) **Height Type:** TO FLOOR / OVER COUNTER / BOTH

Note: Measure height from header to floor or counter.



Must pull from the side of the taller height towards the shorter height. (pictured above: pull left to right)
Only one track level per curtain, height differences are only allowed from the bottom.

Header



D1 _____

If there are any height changes, please provide below.

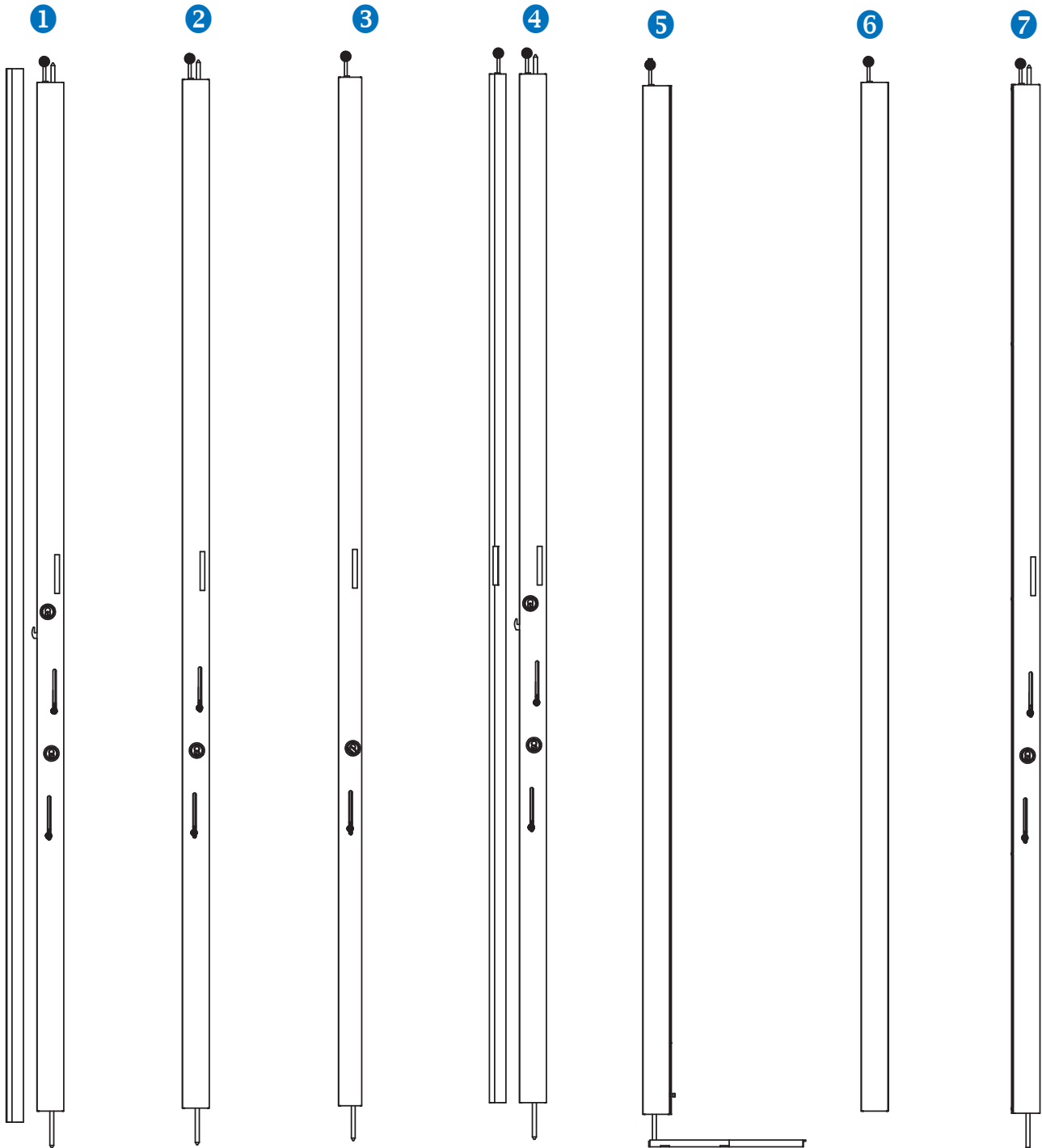
Height: _____ for distance: _____ from reference point: _____

Height: _____ for distance: _____ from reference point: _____

Height: _____ for distance: _____ from reference point: _____

Side-Folding Grille Order Form

POSTS



1 WALL STRIKE POST

- Latch to wall strike.
- Wall strike secured to wall, 2X backing by others required.
- Cylinders(s) for shootbolt to floor and track, as well as for the hook lock.

2 END POST

- Cylinders(s) for shootbolt to floor and track.

3 MIDDLE POST

- Cylinders(s) for shootbolt to floor only.

4 BI-PART POST

- Latch to strike.
- Cylinders(s) for shootbolt to floor and track.

5 POCKET RETAINED POST

- No locks.
- Stop at floor and track in closet.

6 FIXED END POST

- No locks.
- Secured to wall, 2X backing by others required.

7 FLOATING END POST

- Cylinders(s) for shootbolt to floor and track.
- Plate on back to take up the open space from post to wall.

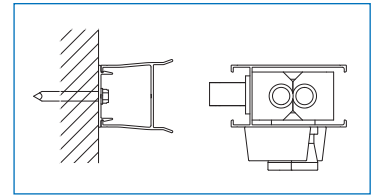
Side-Folding Grille Order Form

Post Options:

1 WALL STRIKE POST

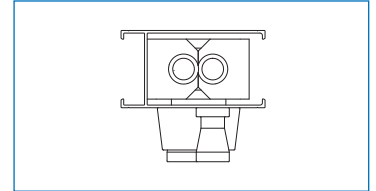
This allows a travelling end of a grille to be locked to a wall. The wall strike is secured to the wall (*2x backing by others required*), while the mating post on the end of the grille has shoot-bolts to the floor and track, as well as a hook lock which latches to the wall strike.

TOP VIEW



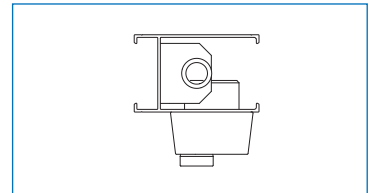
2 END POST

This allows a travelling end of a grille to be pushed flush to a wall and locked into place without any work being done to that wall. This post has shoot-bolts to the floor and track.



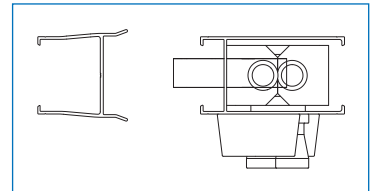
3 MIDDLE POST

Max span of grille without a post to secure it is 120"; these posts provide a locking point for longer grilles. Middle posts have shoot-bolts to the floor only.



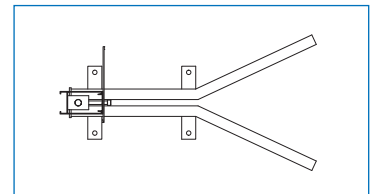
4 BI-PART POST

This allows a grille to be opened from the middle, and also allows for longer grilles to be stored in two pockets. The leading edge of one half has a post with shoot-bolts to floor and track as well as hook lock which latches to a strike on the leading edge of other half of the curtain.



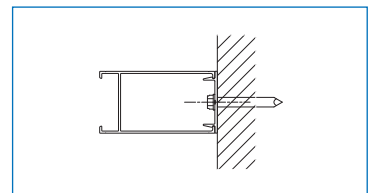
5 POCKET RETAINED POST

This post remains retained within the pocket and requires no locks.



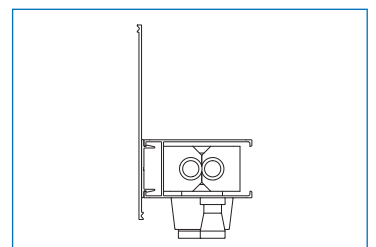
6 FIXED END POST

Used to anchor the end of a grille, usually when there is no pocket. The Fixed post is secured to the wall and has no locks. (*2x backing by others required*).



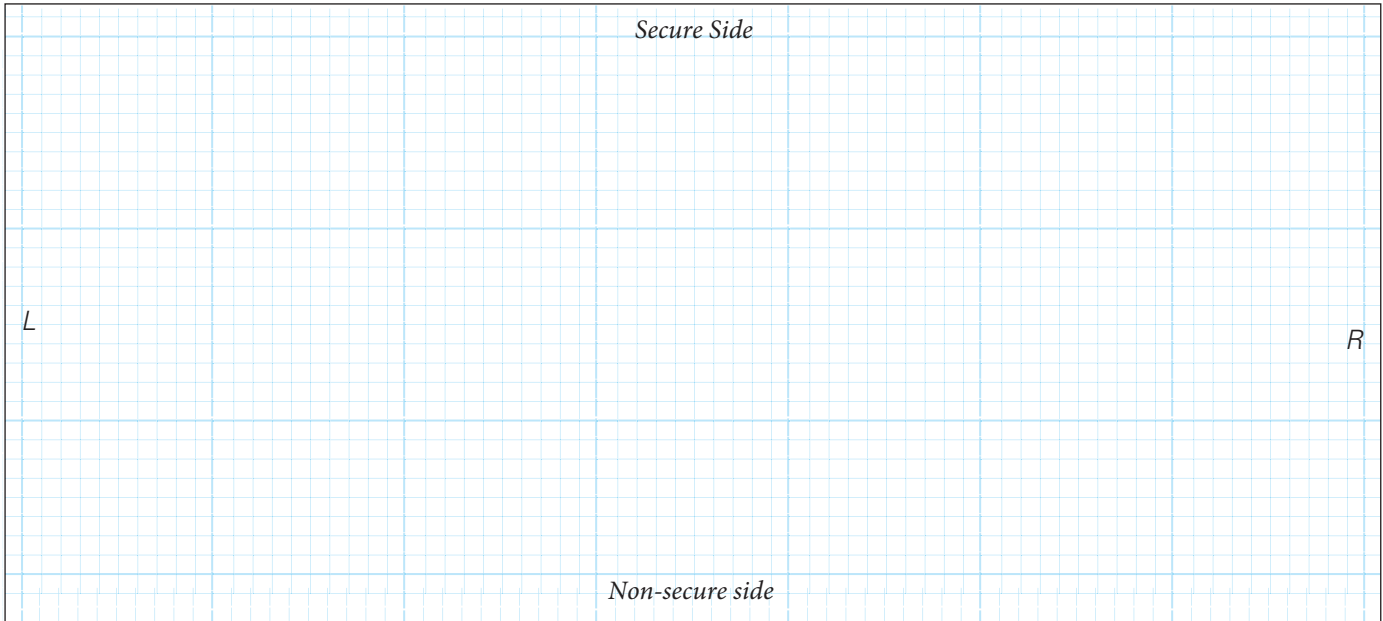
7 FLOATING END POST

An end post that does not have a wall to lock against but instead a wall or permanent structure running parallel to the grille. To help reduce the gap between the wall and grille, a perpendicular plate is used on the end



Side-Folding Grille Order Form

Sketch of layout (looking from top down):



Note: If layout curves, supply bend radius and angle.

Left PostType:

- WALL STRIKE (1)
- END POST (2)
- POCKET RETAINED (5)
- FIXED (6)
- FLOATING END (7)

Middle Posts:

- YES AS NEEDED
- NO

Bi-part Curtain:

- YES
- NO

Right PostType:

- WALL STRIKE (1)
- END POST (2)
- POCKET RETAINED (5)
- FIXED (6)
- FLOATING END (7)

Secure Side Cylinders:

- KEYED
- THUMB TURN
- NONE

Secure Side Cylinders:

- KEYED
- THUMB TURN
- NONE

Secure Side Cylinders:

- KEYED
- THUMB TURN
- NONE

Secure Side Cylinders:

- KEYED
- THUMB TURN
- NONE

Non-Secure Side Cylinders:

- KEYED
- NONE

Non-Secure Side Cylinders:

- KEYED
- NONE

Non-Secure Side Cylinders:

- KEYED
- NONE

Non-Secure Side Cylinders:

- KEYED
- NONE

Locking Knobs:

- SECURE SIDE
- NON-SECURE SIDE
- BOTH SIDES

Locking Knobs:

- SECURE SIDE
- NON-SECURE SIDE
- BOTH SIDES

Locking Knobs:

- SECURE SIDE
- NON-SECURE SIDE
- BOTH SIDES

Locking Knobs:

- SECURE SIDE
- NON-SECURE SIDE
- BOTH SIDES

Note: Orientation from non-secure side looking into secure side.

Note: Cylinders are for unlocking, hook lock cylinders being an exception doing both unlocking and locking functions.

Cylinder Type: BEST / ILCO KEYED ALIKE / SCHLAGE / OTHER _____

Lock Cores: YES / NO

Note: If cores are needed, min of 5-8 business days from time order is processed with signed approval drawings.

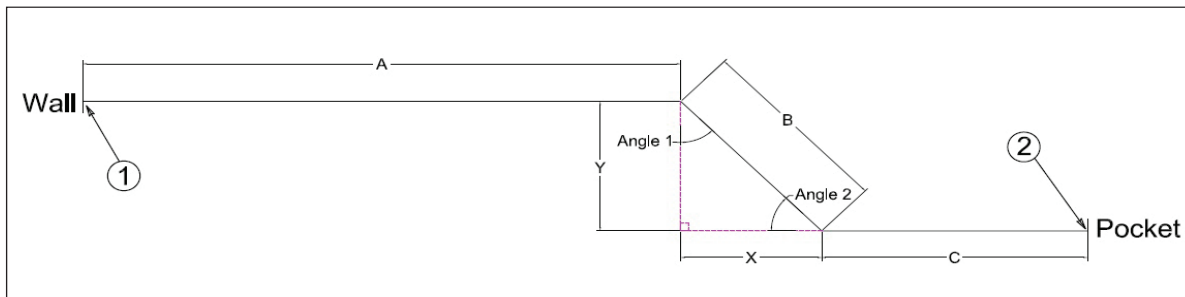


Figure 1: Example of a layout sketch showing the needed information.

Side-Folding Grille Order Form

- Style Options:**
- Q-Clear:** Polycarbonate panels provide visibility while maintaining a resistant barrier.
 - Q-Solid:** Solid aluminum curtain with no visibility through the grille.
 - Q-Air:** Peforated panels providing visibility and ventilation.
 - Q-Classic:** Open rod and link style.
 - Q-Guard:** Open style similar to Q-Classic.

- Pocket Details:**
- Minimum Width:** 10"
 - Depth Required:** Roughly 2" per linear foot of curtain.

- Lock Heights:**
- If over counter:** Lock cylinder height is 21.5" from top of counter.
 - If all over floor:** Lock cylinder height is 41.5" from floor.

- Lock Options:**
- Double Lock:** Typically used in posts at a free end of a grille for greater security. Has shootbolts to both the floor and track.
 - Single Lock:** Used in Mid Posts. Has a shootbolt to the floor only.

- Track:**
- Radius Options:** 14" Radius at 45° or 90°
24" Radius at 45° or 90°

- General Notes:**
- Design and installation of the support header is by others.
 - Header and related structure must support 180PLF with max deflection < 1"
 - An 8" minimum clear path is required.
 - Provide any information necessary to layout the track in the layout sketch.

Special Notes: _____
